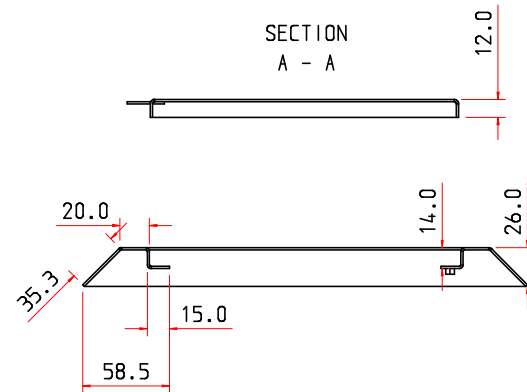
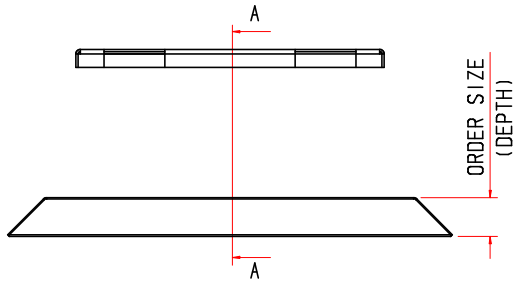
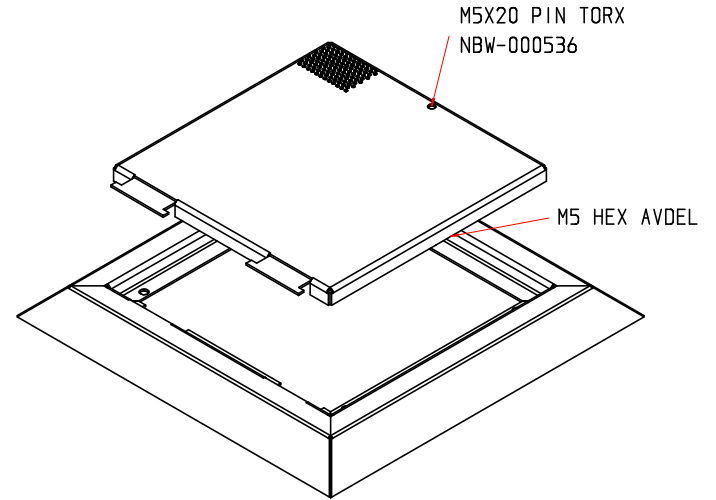
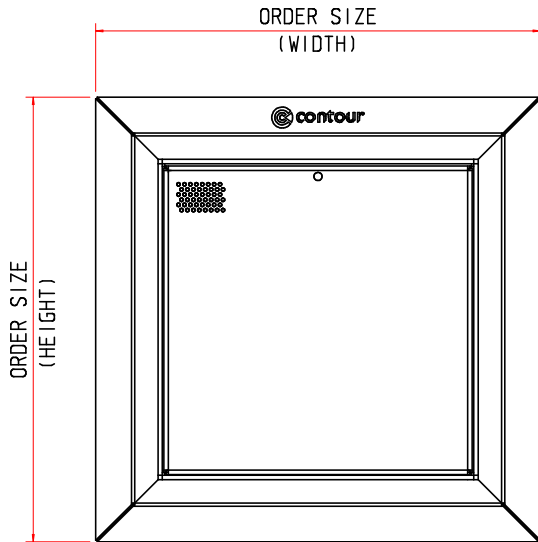


ALGACC 500 500 26 Z  
 Anti-Lig Access Panel    Width    Height    Depth    Material

PART NO	WIDTH	HEIGHT	DEPTH	MAT
ALGACC20020026Z	200	200	26	Z
ALGACC25025026Z	250	250	26	Z
ALGACC30030026Z	300	300	26	Z
ALGACC32032026Z	320	320	26	Z
ALGACC33033026Z	330	330	26	Z
ALGACC35035026Z	350	350	26	Z
ALGACC36036026Z	360	360	26	Z
ALGACC37037026Z	370	370	26	Z
ALGACC40040026Z	400	400	26	Z
ALGACC42042026Z	420	420	26	Z
ALGACC43043026Z	430	430	26	Z
ALGACC45045026Z	450	450	26	Z
ALGACC45545526Z	455	455	26	Z
ALGACC46046026Z	460	460	26	Z
ALGACC47047026Z	470	470	26	Z
ALGACC50050026Z	500	500	26	Z
ALGACC52052026Z	520	520	26	Z
ALGACC55055026Z	550	550	26	Z
ALGACC57057026Z	570	570	26	Z
ALGACC60060026Z	600	600	26	Z
ALGACC62062026Z	620	620	26	Z
ALGACC63063026Z	630	630	26	Z



**contour**

DRWN	DATE	SCALE	MATERIAL	FINISH	CUSTOMER
DSJ	16/02/22	N/A	1.5mm	BILOCOTE WHITE	CONTOUR
TOLERANCES (UMS)			TITLE		
MACHINING & BURNING			ANTI-LIG ACCESS PANELS		
UP TO 30mm ± 0.15mm			DRG. No.		
OVER 30mm ± 0.20mm			ALG ACCESS MASTER DRG.		
ANGLES ± 0.5°			REV		

REV	MODIFICATION	ZONE	INIT	DATE