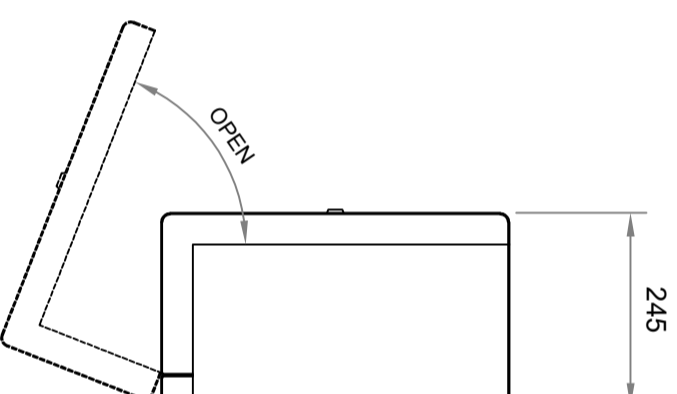
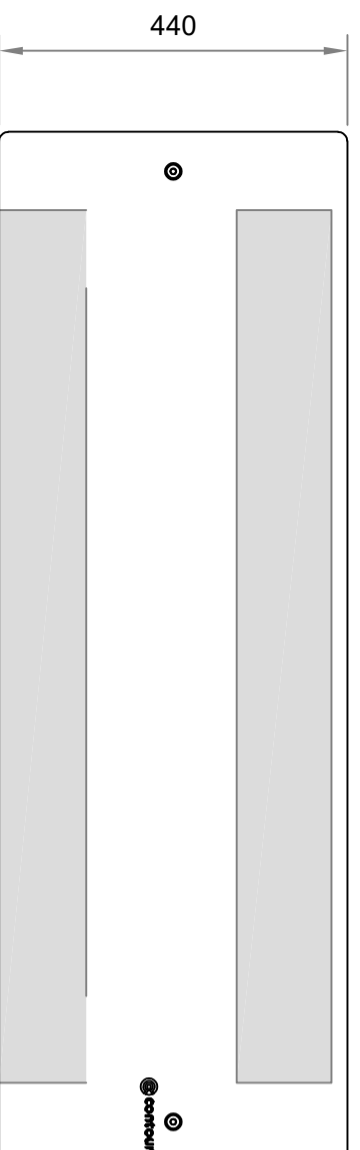
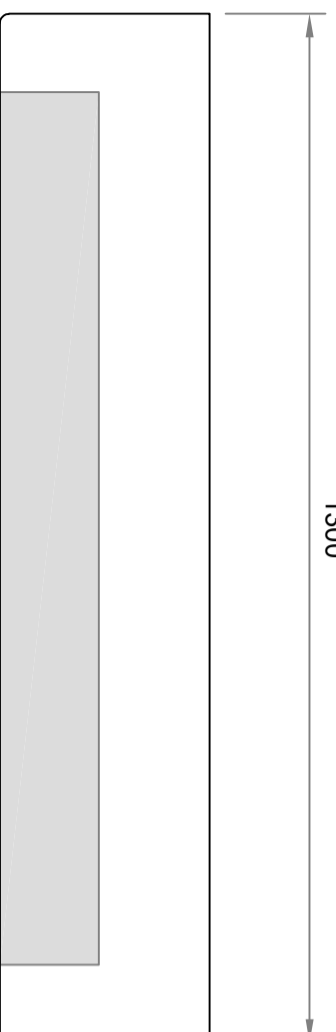
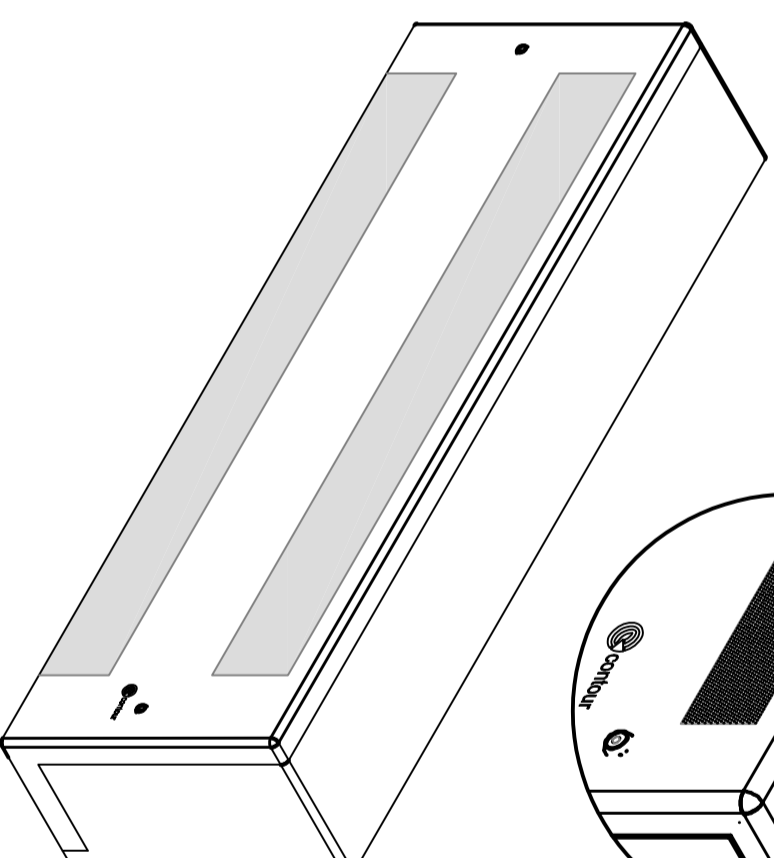
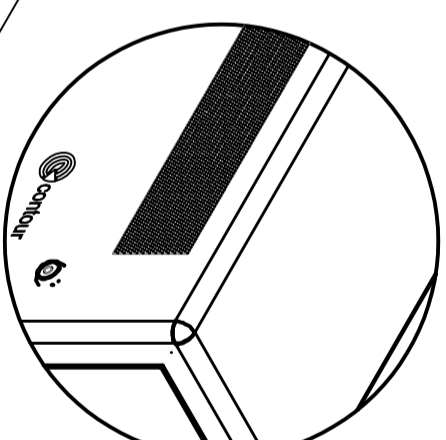
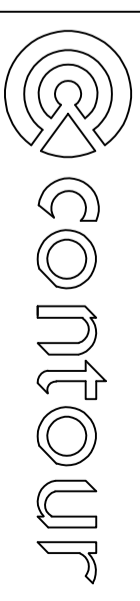


# AIR CONDITIONING GUARD - FLAT TOP - WALL MOUNTED (CEILING) - ANTI LIGATURE



Type:  
Air Conditioning Guard

Model:  
Flat Top - Wall Mounted - Anti Ligature Grilles

Manufacture:  
1.5 - 2mm Zintec Steel  
Chamfered Edges and Corners  
Removable Doors with 6mm PinHex Quarter Turn  
Locks for Maintenance to Air Conditioning Unit  
behind.

IP3X Test Compliant Guard Grille (to BS EN 60529)  
Incorporating 2mm dia Holes at 4mm Centres in a  
Triangular Pitch Formation.  
Fully Complies with 'Home Office Police Building  
Design Guide - Custody 2009 section PD3.02.14.'

Sizes:  
Bespoke to suit Environment.  
Finish:  
Polyester PowderCoated RAL 9003  
Patented BioCote® Anti-Microbial Agent.  
Other Colours are available on request

Fixing Method:  
All Fixings are internal  
Rawplug and Suitable Screws

Contour Heating Ltd  
The Mansions, 43 Broadway  
Shifnal  
TF11 8BB  
Tel: 01952 290498  
Email: [Sales@contourheating.co.uk](mailto:Sales@contourheating.co.uk)  
Web: [www.contourheating.co.uk](http://www.contourheating.co.uk)